

# TMT

## SILVER

### Multi-deck steam tube tunnel oven



*The Mecateck multi-deck steam tube tunnel oven, Silver TMT, is the new generation of automatic steam tube ovens. Its new steam tube sections design allows optimal heat exchange and a perfect heat distribution inside each baking chamber. The powerful steaming system supplies a very fine and even steaming on the product.*

*Thanks to these innovations, combined with a perfect thermal insulation, the use of high quality components and a great accuracy in manufacturing, the artisan quality baking makes a great step forward at industrial capacity level.*

Benefits:

- High heat retention and strong bottom heat, ideal for crusty products.
- Very low fuel consumption; temperature of exhaust fumes close to baking temperatures.
- Floor space saving: large baking surfaces with a small footprint.

Suitable for:

- Baking bread loaves, rolls in trays and tin bread.

Baking temperatures range from 210 °C to 280 °C.



#### HEATING SYSTEM

The heating of the baking chambers is performed by a ring shaped steam pipe closed circuit. The tubes are made of special cold drawn steel and certified UNI 663.

#### FUEL

The furnace or furnaces depending on the model are heated by burners fueled by Gas / Oil / LPG or in some cases from solid fuel burners (pellets).

#### CONVEYORS

The oven can be equipped with wire-mesh baking conveyor, steel plate conveyor or refractory slabs conveyor.



#### STEAM GENERATOR

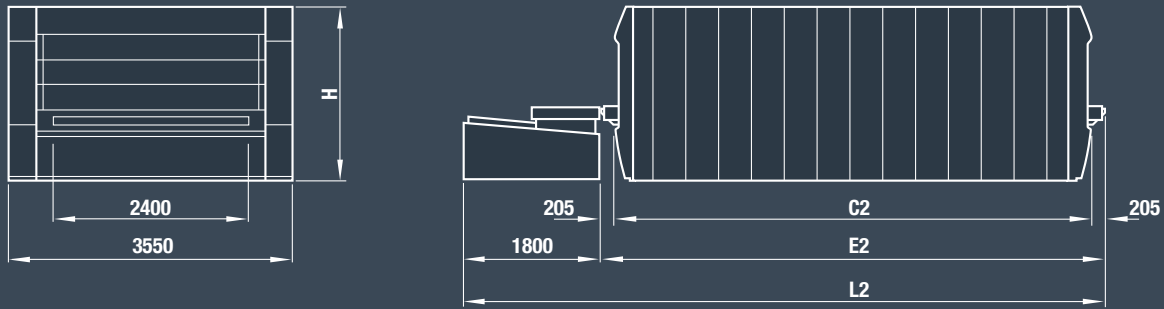
The steam to be supplied to the product during baking must be supplied by an independent boiler. The oven does not generate steam.

#### HOODS, LOADING AND UNLOADING FACADES

In stainless steel AISI 304. Large hoods complete with vapour extractor.

#### CONTROL SYSTEM

Fully computerized 10" front touch-screen main panel and 5.5" rear auxiliary touch panel. The electrical board always includes a modem for on line connection to the MECATECK service center for a quick and safe diagnosis.



MODEL	DECKS #	BAKING SURFACE m <sup>2</sup>	THERMAL POWER				CONVEYOR WIDTH		OVERALL DIMENSIONS				WEIGHT KG	
			FRONT		REAR		USEFUL width mm	ROLLER pitch mm	C 2 mm	E 2 mm	L 2 mm	H mm		
			Kcal/h	KW	Kcal/h	KW								
<b>SILVER TMT/T1 - 3 CHAMBERS</b>														
T1 / 3C	TR1 12/3	3	26,5	165.000	195	---	---	2.400	3.675	6.125	6.535	8.335	2.300	18.550
	TR1 14/3	3	29,9	195.000	230	---	---	2.400	4.155	6.655	7.065	8.865	2.300	21.750
	TR1 16/3	3	33,7	225.000	265	---	---	2.400	4.685	7.185	7.595	9.395	2.300	24.950
	TR1 18/3	3	37,5	250.000	290	---	---	2.400	5.215	7.715	8.125	9.925	2.300	28.150
	TR1 20/3	3	41,4	275.000	320	---	---	2.400	5.745	8.245	8.655	10.455	2.300	31.350
	TR1 22/3	3	45,2	300.000	350	---	---	2.400	6.275	8.775	9.185	10.985	2.300	34.550
TR1 24/3	3	49,0	330.000	390	---	---	2.400	6.805	9.305	9.715	11.515	2.300	37.750	
<b>SILVER TMT/T2 - 3 CHAMBERS</b>														
T2 / 3C	TR2-TM2 26/3	3	53,0	195.000	230	165.000	195	2.400	7.365	9.835	10.245	12.045	2.300	40.950
	TR2-TM2 28/3	3	56,8	225.000	265	165.000	195	2.400	7.895	10.365	10.775	12.575	2.300	44.550
	TR2-TM2 30/3	3	60,7	250.000	290	180.000	210	2.400	8.425	10.895	11.305	13.105	2.300	48.150
	TR2-TM2 32/3	3	64,5	250.000	290	195.000	230	2.400	8.955	11.425	11.835	13.635	2.300	51.750
	TR2-TM2 34/3	3	68,3	275.000	320	210.000	250	2.400	9.485	11.955	12.365	14.165	2.300	55.350
	TR2-TM2 36/3	3	72,1	275.000	320	225.000	265	2.400	10.015	12.485	12.895	14.695	2.300	58.950
	TR2-TM2 38/3	3	75,9	275.000	320	250.000	295	2.400	10.545	13.015	13.425	15.225	2.300	62.550
	TR2-TM2 40/3	3	79,7	300.000	350	250.000	295	2.400	11.075	13.545	13.955	15.755	2.300	66.150
	TR2-TM2 42/3	3	83,6	300.000	350	275.000	320	2.400	11.605	14.075	14.485	16.285	2.300	69.750
	TR2-TM2 44/3	3	87,4	330.000	390	275.000	320	2.400	12.135	14.605	15.015	16.815	2.300	73.350
	TR2-TM2 46/3	3	91,2	330.000	390	300.000	350	2.400	12.665	15.135	15.545	17.345	2.300	76.950
	TR2-TM2 48/3	3	95,0	330.000	390	330.000	390	2.400	13.195	15.665	16.075	17.875	2.300	80.550
TR2-TM2 50/3	3	98,8	360.000	420	330.000	390	2.400	13.725	16.195	16.605	18.405	2.300	84.150	
<b>SILVER TMT/T2 - 4 CHAMBERS</b>														
T2 / 4C	TR2-TM2 26/4	4	70,7	260.000	305	175.000	205	2.400	7.365	9.835	10.245	12.045	2.800	51.450
	TR2-TM2 28/4	4	75,8	285.000	330	185.000	215	2.400	7.895	10.365	10.775	12.575	2.800	54.950
	TR2-TM2 30/4	4	80,9	310.000	360	190.000	220	2.400	8.425	10.895	11.305	13.105	2.800	58.450
	TR2-TM2 32/4	4	86,0	330.000	390	200.000	235	2.400	8.955	11.425	11.835	13.635	2.800	61.950
	TR2-TM2 34/4	4	91,1	350.000	410	220.000	260	2.400	9.485	11.955	12.365	14.165	2.800	65.450
	TR2-TM2 36/4	4	96,1	370.000	430	230.000	270	2.400	10.015	12.485	12.895	14.695	2.800	68.950
	TR2-TM2 38/4	4	101,2	370.000	430	250.000	290	2.400	10.545	13.015	13.425	15.225	2.800	72.450
	TR2-TM2 40/4	4	106,3	380.000	440	270.000	315	2.400	11.075	13.545	13.955	15.755	2.800	75.950
	TR2-TM2 42/4	4	111,4	380.000	440	300.000	350	2.400	11.605	14.075	14.485	16.285	2.800	79.450
	TR2-TM2 44/4	4	116,5	380.000	440	330.000	390	2.400	12.135	14.605	15.015	16.815	2.800	82.950
	TR2-TM2 46/4	4	121,6	390.000	455	360.000	420	2.400	12.665	15.135	15.545	17.345	2.800	86.450
	TR2-TM2 48/4	4	126,7	400.000	465	390.000	455	2.400	13.195	15.665	16.075	17.875	2.800	89.950
TR2-TM2 50/4	4	131,8	410.000	475	400.000	465	2.400	13.725	16.195	16.605	18.405	2.800	93.450	
<b>SILVER TMT/TC - 3 CHAMBERS</b>														
TC / 3C	TC1 20/3	3	42,8	345.000	400	---	---	2.400	6.005	8.445	8.905	10.705	2.800	40.250
	TC1 22/3	3	46,6	370.000	430	---	---	2.400	6.535	8.975	9.435	11.235	2.800	44.350
	TC1 24/3	3	51,2	405.000	470	---	---	2.400	7.065	9.505	9.965	11.765	2.800	48.100
	TC2 24/3	3	51,2	240.000	280	165.000	195	2.400	7.065	9.505	9.965	11.765	2.800	48.450
	TC2 26/3	3	54,2	265.000	310	175.000	205	2.400	7.595	10.035	10.495	12.295	2.800	52.200
	TC2 28/3	3	58,0	285.000	330	185.000	215	2.400	8.125	10.565	11.025	12.825	2.800	55.950
	TC2 30/3	3	61,8	310.000	360	195.000	220	2.400	8.655	11.095	11.555	13.355	2.800	59.700
	TC2 32/3	3	65,7	330.000	390	200.000	235	2.400	9.185	11.625	12.085	13.885	2.800	63.450
	TC2 34/3	3	69,5	350.000	410	210.000	250	2.400	9.715	12.155	12.615	14.415	2.800	67.200
	TC2 36/3	3	73,3	370.000	430	220.000	260	2.400	10.245	12.685	13.145	14.945	2.800	70.950
	TC2 38/3	3	77,1	370.000	430	250.000	290	2.400	10.775	13.215	13.675	15.475	2.800	74.700
	TC2 40/3	3	80,9	380.000	440	270.000	315	2.400	11.305	13.745	14.205	16.005	2.800	78.450
	TC2 42/3	3	84,7	380.000	440	300.000	350	2.400	11.835	14.275	14.735	16.535	2.800	82.200
	TC2 44/3	3	88,6	380.000	440	330.000	390	2.400	12.365	14.805	15.265	17.065	2.800	85.950
TC2 46/3	3	92,4	390.000	455	360.000	420	2.400	12.895	15.335	15.795	17.595	2.800	89.700	